

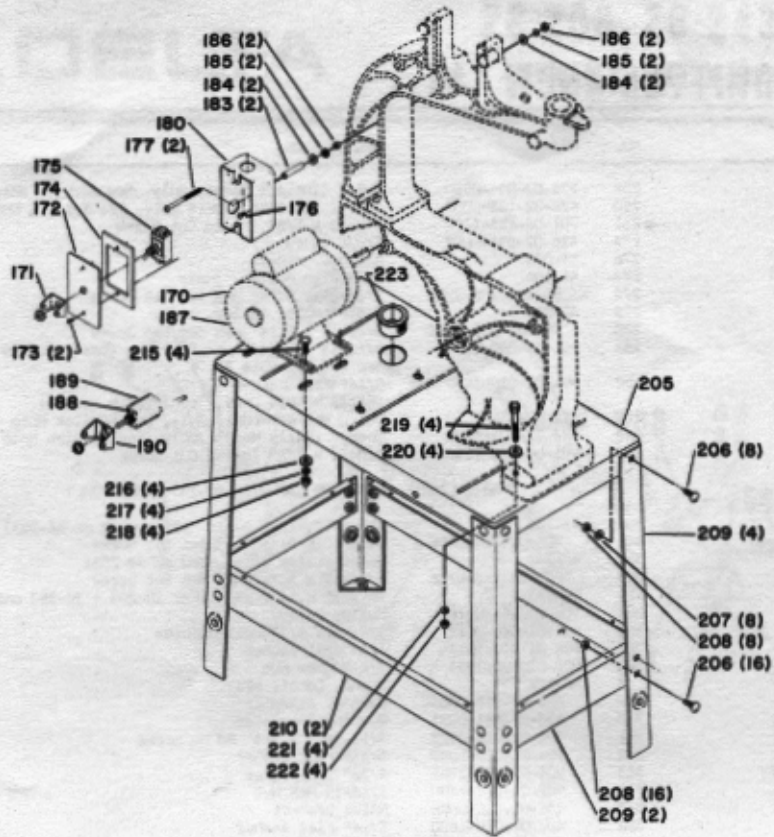
REPLACEMENT PARTS

REF. NO.	PART NO.	DESCRIPTION	REF. NO.	PART NO.	DESCRIPTION
1	406-03-060-0001	Knob	*	426-02-355-0002	Upper Blade Guide, Const. of:
2	904-03-030-1795	#10 Ext Tooth Lockwasher	89	426-02-089-0002	Bracket
3	902-01-120-1203	#10-32 Hex Nut	90	920-08-020-1457	Bearing
4	426-02-071-0002	Pin	91	901-03-040-8015	1/4-20 x 1/2" Hex Soc But Hd Screw
5	426-02-354-0030	Upper Wheel Guard	*	426-02-355-0003	Bracket w/Guide Blocks, Const. of:
7	426-04-754-0003	Nameplate	92	426-02-014-0004	Guide Block Bracket
8	1087794	Rivet	93	901-04-190-0225	5/16-18 x 1/4" Hex Soc Set Screw
9	902-01-020-1227	1/2-20 Hex Nut	94	952-02-011-3254	Blade Guide Block
10	904-01-032-2477	Special Washer	95	901-04-150-0297	5/16-24 x 1 3/4" Headless Set Screw
11	426-03-400-0008	Upper Wheel Assy., Incl.:	96	902-08-041-3064	Knurled Nut
12	920-04-010-7273	Bearing	97	901-04-190-0207	5/16-18 x 1/2" Hex Soc Set Screw
13	426-02-079-0001	Bearing Retainer	98	426-02-106-0009	Hex Shaft
14	426-02-104-0006	Spacing Sleeve	99	901-04-260-1528	5/16-18 x 1" Thumb Screw
15	426-02-094-0001	Tire	100	901-03-040-8015	1/4-20 x 1/2" Hex Soc But Hd Screw
16	901-02-010-0512	5/16-18 x 1/2" Rd Hd Screw	101	901-04-260-1520	5/16-18 x 1/2" Thumb Screw
17	904-01-010-1604	5/16" Washer	102	426-02-054-0001	Sliding Blade Guard
18	901-02-012-1910	3/8-16 x 2 1/4" Rd Hd Screw	103	426-02-063-0002	Insert
19	426-02-054-0017	Blade Guard	104	905-01-010-6711	1/8 x 3/8" Roll Pin (Early Models Only)
20	901-02-051-2860	#8-32 x 1/4" Fill Hd Screw	105	426-02-391-0005	Table, Incl.:
21	904-03-030-1760	#8 Ext Tooth Lockwasher (Early Models Only)	106	426-02-071-0001	Tapered Pin
22	426-02-122-0003	Spring Clip	107	901-01-060-0625	7/16-14 x 3 1/4" Hex Hd Cap Screw
23	426-02-111-0001	Hex Stud	108	426-02-027-0001	Trunnion Clamp Shoe
24	904-01-010-1620	5/16" Washer	109	426-02-095-0002	Trunnion
25	901-03-043-1191	5/16-18 x 1/2" Hex Soc Bot Hd Screw	110	904-01-010-1614	1/4" Flat Washer
26	904-01-010-1604	5/16" Washer	111	901-01-060-0612	1/4-20 x 5/8" Hex Hd Cap Screw
27	902-01-120-1034	1/4-20 Hex Nut (Early Models Only)	112	426-02-088-0001	Base Table Stop (Early Models Only)
28	904-03-030-1757	1/4" Ext Tooth Lockwasher	113	901-01-060-0637	7/16-14 x 3 1/2" Hex Hd Cap Screw
29	904-01-010-1614	1/4" Flat Washer	114	426-02-395-0002	Trunnion, Incl.:
30	426-02-354-0029	Guard Assy., Upper Back	115	903-03-023-1333	Rivet
*	426-02-359-0005	Sliding Bracket, Const. of:	116	951-02-010-7832	Scale
31	426-02-106-0004	Upper Wheel Shaft	117	904-01-010-1614	1/4" Flat Washer
32	426-02-059-0001	Upper Wheel Shaft Hinge	118	901-01-060-0612	1/4-20 x 5/8" Hex Hd Cap Screw
33	905-04-141-3146	Steel Pin	119	901-01-060-0602	5/16-18 x 1 1/4" Hex Hd Cap Screw
34	426-02-412-0008	Hand Knob Assembly	121	928-05-013-1378	1/2" Spring Washer
35	426-02-014-0003	Upper Wheel Sliding Bracket	122	904-07-010-5571	1/2" Fiber Washer
36	902-04-010-1403	5/16-18 Wing Nut	123	426-02-412-0004	Adjusting Screw w/Knob
37	901-04-261-4005	5/16-18 x 2 1/2" Thumb Screw	124	901-03-012-2144	#10-32 x 1/4" Soc Hd Cap Screw
38	928-01-041-3386	Coil Spring	125	951-01-010-7802	Pointer
39	904-07-010-5572	3/8" Fiber Washer	126	904-01-010-1606	3/8" Washer
40	902-02-050-1317	3/8-16 Sq. Nut	128	406-03-138-0004	Hand Knob
41	426-02-327-0003	Guide Lock	129	901-04-080-0105	5/16-18 x 2" Headless Set Screw (Early Models Only)
42	426-02-389-0004	Upper Frame Arm, Incl.:	130	902-01-010-1300	5/16-18 Hex Nut (Early Models Only)
43	426-02-111-0006	5/16-18 Stud	131	904-07-010-5571	3/8" Fiber Washer
51	426-02-354-0024	Guard Assy., Lower	132	426-03-388-0001	Collar Assy., Incl.:
52	901-03-040-8015	1/4-20 x 1/2" Hex Soc But Hd Screw	133	901-04-150-0208	1/4-20 x 1/4" Hex Soc Set Screw
53	904-03-030-1757	1/4" Ext Tooth Lockwasher	134	901-02-030-0408	5/16-18 Hex Nut (Early Models Only)
54	904-01-010-1614	1/4" Flat Washer	*	426-02-355-0004	Lower Blade Guide, Const. of:
55	406-03-060-0001	Knob	135	426-02-004-0001	Rail for Lower Guide Bracket
56	904-03-030-1795	#10 Ext Tooth Lockwasher	136	901-03-030-8013	1/4-20 x 3/8" Hex Soc Flat Hd Screw
57	902-01-120-1203	#10-32 Hex Nut	137	426-02-014-0013	Adj Link for Support Bracket
58	426-02-071-0002	Pin	138	904-10-101-3166	Spacing Sleeve
59	902-07-030-7171	Special Hex Nut	139	426-02-014-0006	Support Bracket
60	426-03-400-0010	Lower Wheel, Incl.:	140	952-02-011-3254	Blade Guide Block
61	426-02-094-0001	Tire	141	901-04-190-0225	5/16-18 x 1/4" Hex Soc Set Screw
62	904-01-031-4982	3/4" Washer	142	426-02-098-0001	Wedge
63	920-04-020-5348	Bearing	143	928-01-021-3387	Coil Spring
64	927-01-100-2603	#705 Hi-Pro Key	144	426-02-106-0011	Shaft
65	426-02-106-0010	Shaft	145	952-02-011-3253	Angle Guide Block
66	927-03-010-2650	Key	146	920-08-020-1457	Bearing
67	928-07-010-7353	Bearing Loading Spring	*150	426-02-314-0008	Trunnion Support Bracket, Incl.:
68	902-07-030-7171	Special Hex Nut	151	901-01-060-3125	5/16-18 x 2 1/2" Hex Hd Screw
69	426-02-005-0005	Base (Current Models Only, See Service Note A)	152	1087640	5/16-18 Nut
69	426-02-005-0004	Base (Early Models Only, See Service Note A)			
70	905-04-071-4460	Tapered Dowel Pin			
72	436-01-016-2001	Bumper			
73	901-02-051-2860	#8-32 x 1/4" Fill Hd Screw			
74	904-03-030-1760	#8 Ext Tooth Lockwasher	160	49-220	Vacuum Hose Adapter
75	426-02-122-0003	Spring Clip	161	49-228	Vacuum Hose Coupling
76	426-02-111-0001	Hex Stud			
77	426-02-026-0003	Dust Spout			
78	901-03-063-1340	Shouldered Screw			
79	901-03-040-8015	1/4-20 x 1/2" But Hd Screw (Current Models Only)			
79	901-02-051-2860	#8-32 x 1/4" Fill Hd Screw (Early Models Only)			
80	904-02-020-1702	1/4" Lockwasher (Current Models Only)			
80	904-03-030-1760	#8 Ext Tooth Lockwasher (Early Models Only)			
81	426-02-122-0004	Spring Clip w/1/4" Hole (Current Models Only)			
81	426-02-122-0002	Spring Clip w/11/64" Hole (Early Models Only)			
82	901-01-060-9062	3/4-10 x 2 3/4" Hex Hd Cap Screw			
83	426-02-104-0004	Special Washer			
84	904-02-020-1707	3/4" Lockwasher			
85	902-01-100-1027	3/4-10 Hex Nut			
88	426-02-055-0001	Guide Post			

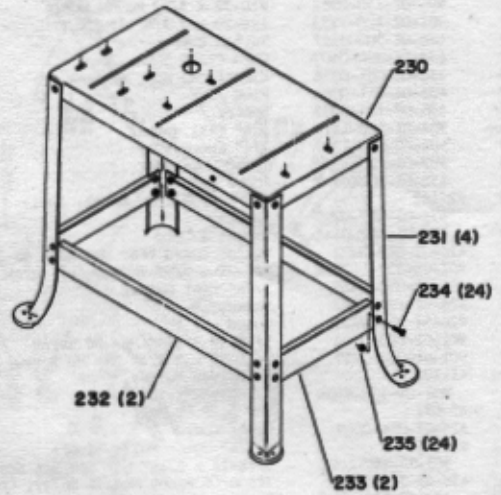
NOT INCLUDED WITH BASIC MACHINE

SERVICE NOTES:

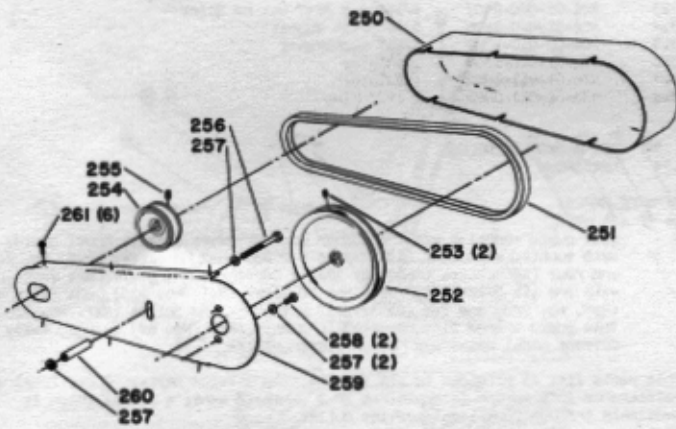
A - Belt guard mounting was changed on current bases - early model guards were mounted with four (4) 5/16-18 x 2 3/4" Hex Hd Screws (Ref. No. 250) and four (4) Spacers (Ref. No. 253). Current model guards are mounted with one (1) 5/16-18 x 2 3/4" Hex Hd Screw (Ref. No. 196), one (1) spacer (Ref. No. 193) and two (2) 5/16-18 x 5/8" Hex Hd Screws (Ref. No. 195). This guard base also resulted in a base (Ref. No. 69) change, early and current model bases are not interchangeable!



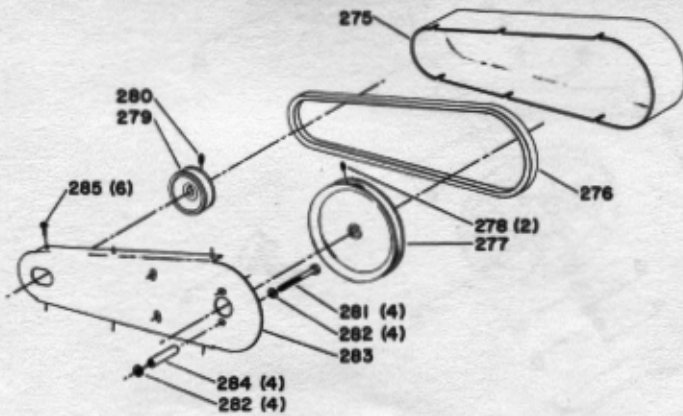
FOR UNITS W/SER. NO. 88K87665 AND HIGHER



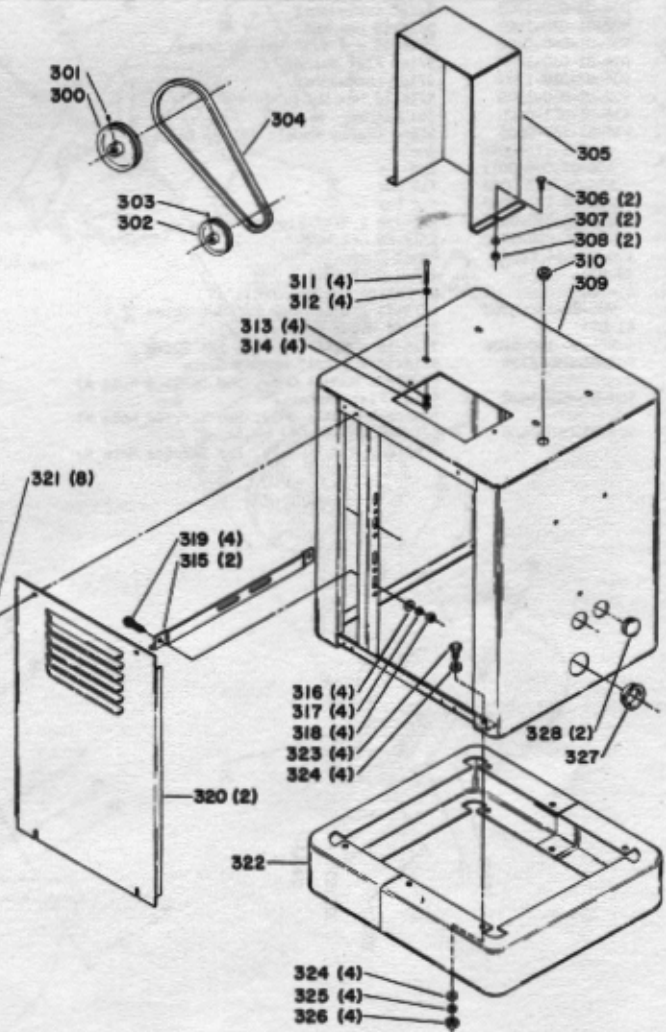
FOR UNITS W/SER. NO. 88K87664 AND LOWER



BELT & PULLEY GUARD
CURRENT MODELS ONLY (SEE SERVICE NOTE A)



BELT & PULLEY GUARD
EARLY MODELS ONLY (SEE SERVICE NOTE A)



REPLACEMENT PARTS

REF. NO.	PART NO.	DESCRIPTION	REF. NO.	PART NO.	DESCRIPTION
1	406-03-060-0001	Knob	*	426-02-355-0002	Upper Blade Guide, Const. of:
2	904-03-030-1795	#10 Ext Tooth Lockwasher	89	426-02-089-0002	Bracket
3	902-01-120-1203	#10-32 Hex Nut	90	920-08-020-1457	Bearing
4	426-02-071-0002	Pin	91	901-03-040-8015	1/4-20 x 1/2" Hex Soc But Hd Screw
5	426-02-354-0030	Upper Wheel Guard	*	426-02-355-0003	Bracket w/Guide Blocks, Const. of:
7	426-04-754-0003	Nameplate	92	426-02-014-0004	Guide Block Bracket
8	1087794	Rivet	93	901-04-190-0225	5/16-18 x 1/4" Hex Soc Set Screw
9	902-01-020-1227	1/2-20 Hex Nut	94	952-02-011-3254	Blade Guide Block
10	904-01-032-2477	Special Washer	95	901-04-150-0297	5/16-24 x 1 3/4" Headless Set Screw
11	426-03-400-0008	Upper Wheel Assy., Incl.:	96	902-08-041-3064	Knurled Nut
12	920-04-010-7273	Bearing	97	901-04-190-0207	5/16-18 x 1/2" Hex Soc Set Screw
13	426-02-079-0001	Bearing Retainer	98	426-02-106-0009	Hex Shaft
14	426-02-104-0006	Spacing Sleeve	99	901-04-260-1528	5/16-18 x 1" Thumb Screw
15	426-02-094-0001	Tire	100	901-03-040-8015	1/4-20 x 1/2" Hex Soc But Hd Screw
16	901-02-010-0512	5/16-18 x 1/2" Rd Hd Screw	101	901-04-260-1520	5/16-18 x 1/2" Thumb Screw
17	904-01-010-1604	5/16" Washer	102	426-02-094-0001	Sliding Blade Guard
18	901-02-012-1910	3/8-16 x 2 1/4" Rd Hd Screw	103	426-02-063-0002	Insert
19	426-02-054-0017	Blade Guard	104	905-01-010-6711	1/8 x 3/8" Roll Pin (Early Models Only)
20	901-02-051-2860	#8-32 x 1/4" Fil Hd Screw	105	426-02-391-0005	Table, Incl.:
21	904-03-030-1760	#8 Ext Tooth Lockwasher (Early Models Only)	106	426-02-071-0001	Tapered Pin
22	426-02-122-0003	Spring Clip	107	901-01-060-0625	7/16-14 x 3 1/2" Hex Hd Cap Screw
23	426-02-111-0001	Hex Stud	108	426-02-027-0001	Trunnion Clamp Shoe
24	904-01-010-1620	5/16" Washer	109	426-02-095-0002	Trunnion
25	901-03-043-1191	5/16-18 x 1/2" Hex Soc Bot Hd Screw	110	904-01-010-1614	1/4" Flat Washer
26	904-01-010-1604	5/16" Washer	111	901-01-060-0612	1/4-20 x 5/8" Hex Hd Cap Screw
27	902-01-120-1034	1/4-20 Hex Nut (Early Models Only)	112	426-02-088-0001	Base Table Stop (Early Models Only)
28	904-03-030-1757	1/4" Ext Tooth Lockwasher	113	901-01-060-0637	7/16-14 x 3 1/2" Hex Hd Cap Screw
29	904-01-010-1614	1/4" Flat Washer	114	426-02-395-0002	Trunnion, Incl.:
30	426-02-354-0029	Guard Assy., Upper Back	115	903-03-023-1333	Rivet
*	426-02-359-0005	Sliding Bracket, Const. of:	116	951-02-010-7832	Scale
31	426-02-106-0004	Upper Wheel Shaft	117	904-01-010-1614	1/4" Flat Washer
32	426-02-059-0001	Upper Wheel Shaft Hinge	118	901-01-060-0612	1/4-20 x 5/8" Hex Hd Cap Screw
33	905-04-141-3146	Steel Pin	119	901-01-060-0602	5/16-18 x 1 1/4" Hex Hd Cap Screw
34	426-02-412-0008	Hand Knob Assembly	121	928-05-013-1378	1/2" Spring Washer
35	426-02-014-0003	Upper Wheel Sliding Bracket	122	904-07-010-5571	1/2" Fiber Washer
36	902-04-010-1403	5/16-18 Wing Nut	123	426-02-412-0004	Adjusting Screw w/Knob
37	901-04-261-4005	5/16-18 x 2 1/2" Thumb Screw	124	901-03-012-2144	#10-32 x 1/4" Soc Hd Cap Screw
38	928-01-041-3386	Coil Spring	125	951-01-010-7802	Pointer
39	904-07-010-5572	3/8" Fiber Washer	126	904-01-010-1606	3/8" Washer
40	902-02-050-1317	3/8-16 Sq. Nut	128	406-03-138-0004	Hand Knob
41	426-02-327-0003	Guide Lock	129	901-04-080-0105	5/16-18 x 2" Headless Set Screw (Early Models Only)
42	426-02-389-0004	Upper Frame Arm, Incl.:	130	902-01-010-1300	5/16-18 Hex Nut (Early Models Only)
43	426-02-111-0006	5/16-18 Stud	131	904-07-010-5571	3/8" Fiber Washer
51	426-02-354-0024	Guard Assy., Lower	132	426-03-388-0001	Collar Assy., Incl.:
52	901-03-040-8015	1/4-20 x 1/2" Hex Soc But Hd Screw	133	901-04-150-0208	1/4-20 x 1/4" Hex Soc Set Screw
53	904-03-030-1757	1/4" Ext Tooth Lockwasher	134	901-02-030-0408	5/16-18 x 3/4" Flat Hd Screw
54	904-01-010-1614	1/4" Flat Washer	*	426-02-355-0004	Lower Blade Guide, Const. of:
55	406-03-060-0001	Knob	135	426-02-004-0001	Rail for Lower Guide Bracket
56	904-03-030-1795	#10 Ext Tooth Lockwasher	136	901-03-030-8013	1/4-20 x 3/4" Hex Soc Flat Hd Screw
57	902-01-120-1203	#10-32 Hex Nut	137	426-02-014-0013	Adj Link for Support Bracket
58	426-02-071-0002	Pin	138	904-10-101-3166	Spacing Sleeve
59	902-07-030-7171	Special Hex Nut	139	426-02-014-0006	Support Bracket
60	426-03-400-0010	Lower Wheel, Incl.:	140	952-02-011-3254	Blade Guide Block
61	426-02-094-0001	Tire	141	901-04-190-0225	5/16-18 x 1/4" Hex Soc Set Screw
62	904-01-031-4982	3/4" Washer	142	426-02-098-0001	Wedge
63	920-04-020-5348	Bearing	143	928-01-021-3387	Coil Spring
64	927-01-100-2603	#705 HI-Pro Key	144	426-02-106-0011	Shaft
65	426-02-106-0010	Shaft	145	952-02-011-3253	Angle Guide Block
66	927-03-010-2650	Key	146	920-08-020-1457	Bearing
67	928-07-010-7353	Bearing Loading Spring	*150	426-02-314-0008	Trunnion Support Bracket, Incl.:
68	902-07-030-7171	Special Hex Nut	151	901-01-060-3125	5/16-18 x 2 1/2" Hex Hd Screw
69	426-02-005-0005	Base (Current Models Only, See Service Note A)	152	1087640	5/16-18 Nut
69	426-02-005-0004	Base (Early Models Only, See Service Note A)			
70	905-04-071-4460	Tapered Dowel Pin			
72	436-01-016-2001	Bumper			
73	901-02-051-2860	#8-32 x 1/4" Fil Hd Screw			
74	904-03-030-1760	#8 Ext Tooth Lockwasher	160	49-220	Vacuum Hose Adapter
75	426-02-122-0003	Spring Clip	161	49-228	Vacuum Hose Coupling
76	426-02-111-0001	Hex Stud			
77	426-02-026-0003	Dust Spout			
78	901-03-063-1340	Shouldered Screw			
79	901-03-040-8015	1/4-20 x 1/2" But Hd Screw (Current Models Only)			
79	901-02-051-2860	#8-32 x 1/4" Fil Hd Screw (Early Models Only)			
80	904-02-020-1702	1/4" Lockwasher (Current Models Only)			
80	904-03-030-1760	#8 Ext Tooth Lockwasher (Early Models Only)			
81	426-02-122-0004	Spring Clip w/1/4" Hole (Current Models Only)			
81	426-02-122-0002	Spring Clip w/1/64" Hole (Early Models Only)			
82	901-01-060-9062	3/4-10 x 2 3/4" Hex Hd Cap Screw			
83	426-02-104-0004	Special Washer			
84	904-02-020-1707	3/4" Lockwasher			
85	902-01-100-1027	3/4-10 Hex Nut			
88	426-02-055-0001	Guide Post			

NOT INCLUDED WITH BASIC MACHINE

SERVICE NOTES:

A - Belt guard mounting was changed on current bases - early model guards were mounted with four (4) 5/16-18 x 2 3/4" Hex Hd Screws (Ref. No. 250) and four (4) Spacers (Ref. No. 253). Current model guards are mounted with one (1) 5/16-18 x 2 3/4" Hex Hd Screw (Ref. No. 196), one (1) spacer (Ref. No. 193) and two (2) 5/16-18 x 5/8" Hex Hd Screws (Ref. No. 195). This guard change also resulted in a base (Ref. No. 69) change, early and current model bases are not interchangeable!